



TMD5 Receiver

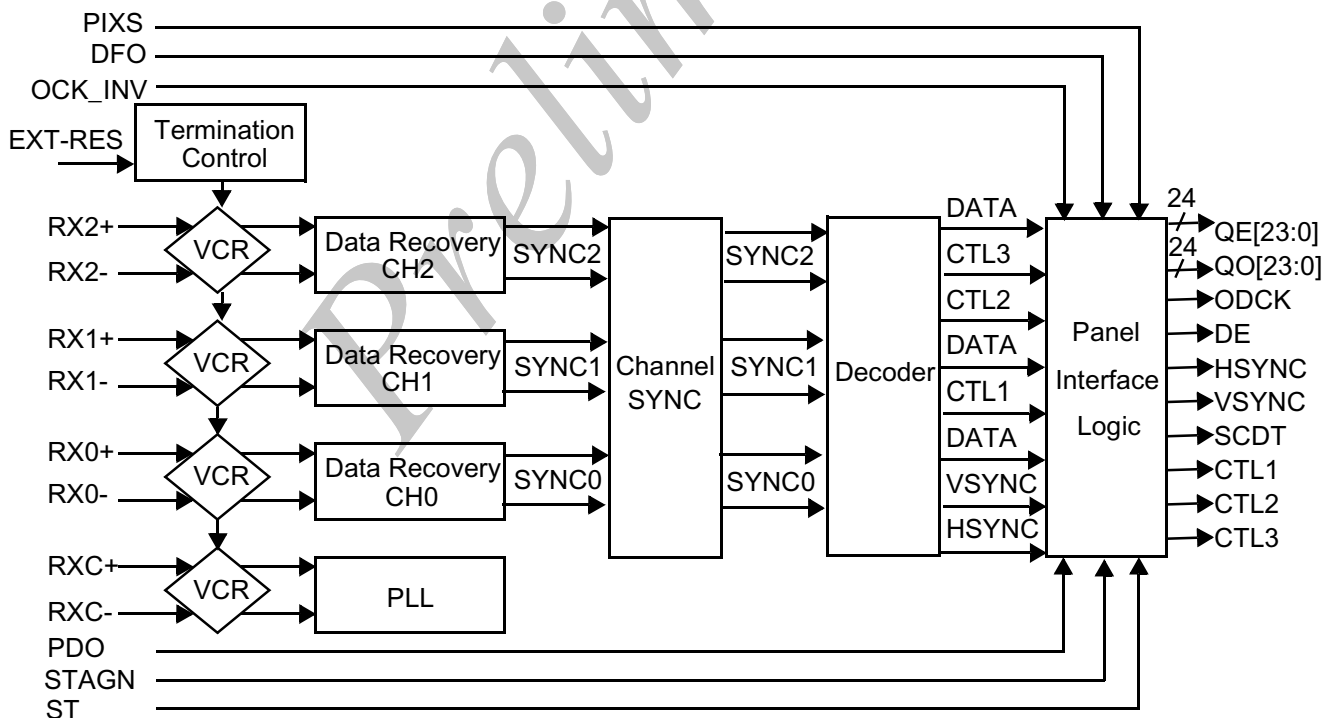
GENERAL DESCRIPTION

The CS5823 supports displays ranging from VGA to UXGA (25-165 MHz) for desktop and special applications. It also supports up to true color panels (24 bit/pixel, 16.7M colors) in 1 or 2 pixels/clock mode.

FEATURES

- Scalable Bandwidth: 25-165 MHz (VGA to UXGA)
- one full input clock cycle skew tolerance
- Time staggered data output for reduced ground bounce
- Over 5m twisted-pair cable distance support
- Compliant with DVI 1.0
- 3.3V low power operation with power-down function

BLOCK DIAGRAM



Myson-Century Technology, Inc.

Taiwan:

No. 2, Industry East Rd. III,
Science-Based Industrial Park, Hsin-Chu, Taiwan
Tel: 886-3-5784866 Fax: 886-3-5784349

USA:

4020 Moorpark Avenue Suite 115
San Jose, CA, 95117
Tel: 408-243-8388 Fax: 408-243-3188

Sales@myson.com.tw

www.myson.com.tw

www.century-semi.com

Rev. 0.9 March 2002

page 1 of 4

www.DataSheet4U.com